

shopdisplaysystems

VF2: Carrier Bag Stand

Upright posts on weighted bases with 200mm long hangers.

Stands ideal for use at exhibitions, at shows or in shops.

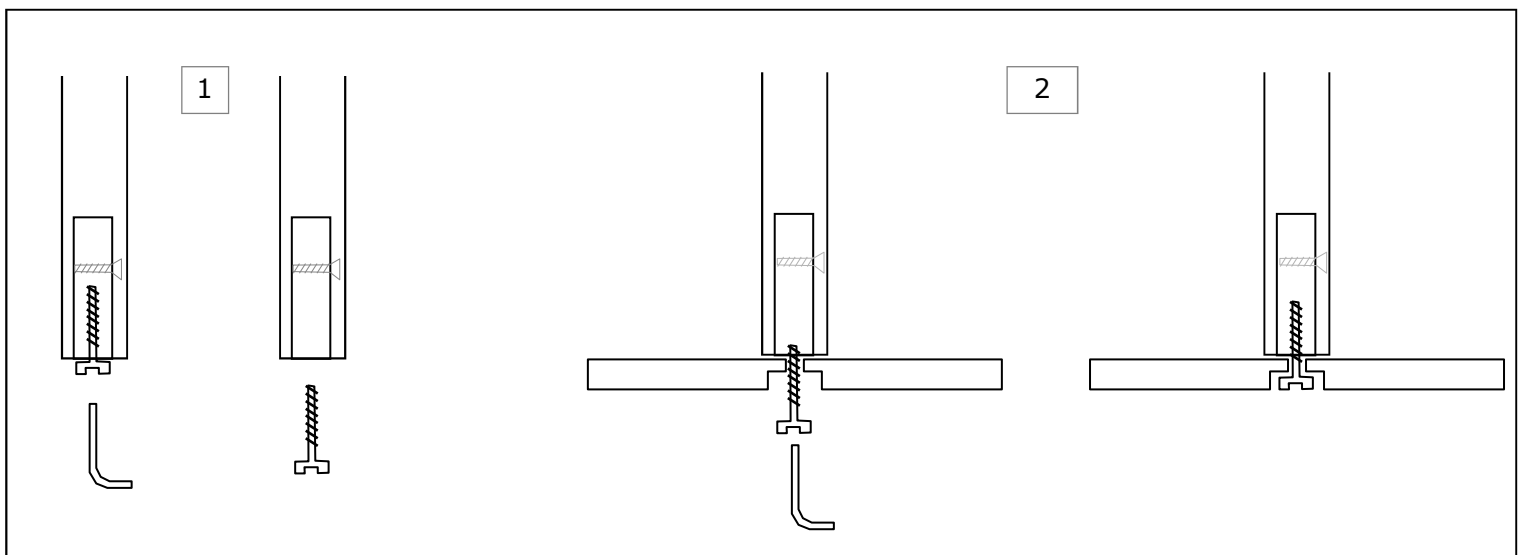
Popularly used to display hanging merchandise and goods as well as carrier bags.

<u>COMPONENT LIST</u>	Per display:
Anodised aluminium post - 50mm diameter, 4 channels (FOR SPLIT POST, FIRST JOIN USING PLATES PROVIDED as shown on page 3)	1
Weighted circular base - 400mm diameter (8mm mild steel, powder-coated silver-grey)	1
Spigot (to fix post to base)	1
Plastic end cap (to fix to top of post)	1
Stainless steel bar, 6mm diameter, 200mm long OR 10mm diameter, 300mm long, Domed at one end, threaded at the other.	As specified
2-part fixing - brass 'inner' to slide into channel, 'outer' part to screw over 'inner' (and tighten to hold in position) and with female thread to accept threaded s/s bar	1 per bar
Bar end stop	1 per bar
outer for 2-part fixing and bar end stops are in nickel plated brass for 6mm bar fixings and in satin-anodised aluminium for 10mm bar fixings	

ASSEMBLY INSTRUCTIONS

FIX BASE(S) TO POST(S)

1. Remove the bolt from the bottom of the fixing block using the allen key provided
2. Push the bolt through the appropriate hole in the weighted base plate from the underside, and screw tightly back into the fixing block



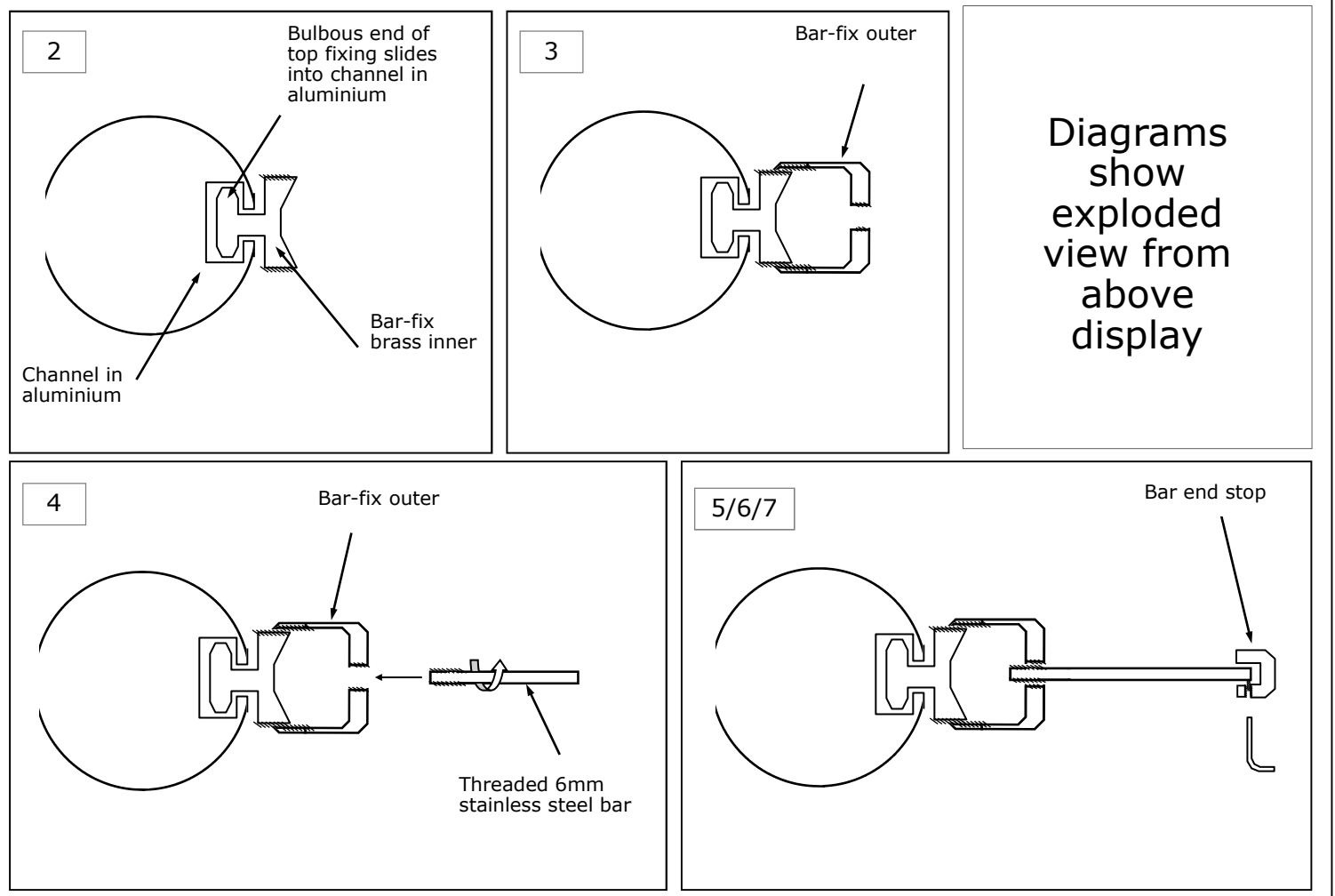
shopdisplaysystems

ASSEMBLY INSTRUCTIONS

FIX BARS TO POST

FOR EACH HANGER:

1. LOOSELY screw bar-fix outer and inner fixing together
2. Holding bar-fix outer, slide inner fixing into channel in post (from the top)
3. Holding fixing in the desired position, screw bar-fix outer TIGHTLY on to inner, until it grips firmly and holds in place.
4. Screw threaded stainless steel bar tightly into bar-fix fitting.
5. Loosen grub screw in bar end stop using small allen key supplied.
6. Push bar end stop fully on to end of bar (with grub screw out of sight underneath gives the best look).
7. Tighten grub screw on to bar to hold end stop securely in place



shopdisplaysystems

